



Catalogue  
2026



BREDDA

Welcome to our exclusive hotel supplies catalogue, designed to enhance guest experiences and streamline hotel operations.

As a French company with extensive experience in the hospitality industry, we specialize in offering high-quality products known for their functionality and quality.

Our range of products includes a diverse items tailored to meet the specific needs of your hotel, ensuring practicality and superior quality.

At Bredda, we are committed to enhancing your hotel's standards with products that reflect our dedication to excellence and reliability.

*" People will forget what you said, forget what you did,  
but people will never forget how you made them feel "*

*Maya Angelou*

# S U M M A R Y

## Front Office

- Luggage Trolleys
- Astray bin
- Barriers

## Hotel Room

- Kettle and tray set
- Safe
- Leather items
- Paper bins
- Luggage rack
- Extra beds
- Ironing

## Room service

- Table and hotboxes
- Minibars

## Bathroom

- Bins
- Towel hangers
- Shower accessories
- Magnifying mirrors
- Toilet accessories
- Hair-dryer

## Floors

- Housekeeping trolleys
- Linen carts
- Laundry trolleys
- Rolls
- Cleaning

# Front Office

The front office of your hotel is the first point of contact for guests, making it crucial to create a welcoming and professional atmosphere. High-quality and eye-catching materials are essential to convey this impression, enhancing the guest experience from the moment they arrive and setting a positive tone for their entire stay.

*"Because first impressions are the most lasting..."*



# Luggage Trolleys

Material :

- Stainless steel (**FO-LTBR / FO-LTBN / FO-LTCN / FO-LTCR**)
- Titan gold (**FO-LTGN / FO-LTGR**)

Full wrap-around bumper

Hanging rail for coat hangers or bags

Wheels : 2 fixed and 2 swivel with brakes Ø 200mm

Dimensions : 1120 x 600 x H.1900 mm



FO-LTCN



FO-LTGR



**FO-LTGN**

**Luggage trolley Gold/Black**

Color : Gold structure and black carpet



**FO-LTBR**

**Luggage trolley Brushed/Red**

Color : Matt structure and red carpet



**FO-LTGR**

**Luggage trolley Gold/Red**

Color : Gold structure and red carpet



**FO-LTCN**

**Luggage trolley Chromed/Black**

Color : Chromed structure and black carpet



**FO-LTBN**

**Luggage trolley Brushed/Black**

Color : Matt structure and black carpet



**FO-LTCR**

**Luggage trolley Chromed/Red**

Color : Chromed structure and red carpet



### **FO-LTCCR**

#### **Luggage trolley Square Chromed/Red**

Material : Stainless steel

Full wrap-around bumper

Color : Chromed structure and red carpet

Wheels : 2 fixed and 2 swivel wheels Ø 200mm

Dimensions : 1120 x 600 x H.1850 mm



### **FO-LTSCR**

#### **Luggage trolley Small Chromed/Grey**

Material : Stainless steel

Full wrap-around bumper

Color : Chromed structure and grey carpet

Wheels : 2 fixed and 2 swivel with brakes Ø 150mm

Dimensions : 1130 x 600 x H.980 mm



### **FO-LTPSR**

#### **Foldable platform trolley Gold/Red**

Material : Titan

Color : Gold structure and red carpet

Wheels : 2 fixed Ø 200mm

Dimensions : 610 x 700 x H.1200 mm



## **FO-LTAT**

### **Airport trolley**

Material : Galvanized Steel

Front bumper

Superior basket for handbags

Dimensions : 915 x 655 x H.1003 mm

Wheels : 2 fixed Ø 200mm and 2 swivel Ø 125mm



# Ashtray bin and barriers

## FO-ABN

### Bin with ashtray on top

Plastic interior container

Material : Steel

Dimensions : Ø 250 x H.605 mm

Weight : 3 kg



## FO-PC

### Chromed barrier

Material : Mast in stainless steel and base in iron with stainless steel cover

Dimensions : Ø 320 (base) x Ø 51 (mast) x H.1024 mm

Weight : 6,3 kg



## FO-RCR

### Chromed red rope

Material : Nylon/polyester rope, steel hook

Dimensions : 1500 mm



## Retractable belt barrier

Material : Mast in stainless steel, base in iron with stainless steel cover and belt in nylon/polyester

Dimensions : Ø 320 (base) x Ø 63 (mast) x H.918 mm

Length of the belt : 2000 mm max

Weight : 6,5 kg

### FO-PBCR

Color : Chromed and red belt

### FO-PBCB

Color : Chromed and black belt

### FO-PBBR

Color : Matt black and red belt



# Hotel Room

The hotel room is a guest's personal retreat, where comfort and luxury are paramount. Premium materials ensure guests feel at home and pampered. This dedication to quality guarantees they experience ultimate relaxation, leaving with a lasting impression of excellence and care.

*"The key is to set realistic customer expectations and then not to just meet them, but to exceed them — preferably in an unexpected and helpful ways"*

*Sir Richard Branson*



# Kettle and tray kit

## HR-K08TC

### Kettle 0,8 L

Material : Food-grade SS304 Stainless Steel and food-grade plastic

Auto Shut-Off and Boil-Dry protection, providing maximum safety

Cool plastic handle, remaining safe

Wide lid opening design for easy cleaning

360° Cordless base

Power indicator light

Power : 800 W / 220-240 Volt

### Tray

Material : ABS base, wood grain finish and 304 stainless steel filter

Integrated space for the kettle base

Cable 0,6 m

Distinctive design with slots for teabags, spoons and cups

Dimensions of the tray : 240 x 240 x H.30 mm





# Safe

## HR-LS

### Laptop Safe 27 L

Keypad LED display Mastercode 6 digits (for 15 inch laptop)

Material : Steel

Dimensions : 435 x 430 x H.220 mm



# Leather items

## HR-MH

### Magazine holder with open design

Material : Taupe leatherette

Dimensions : 300 x 230 x H.100 mm



## HR-SB

### Service binder

A4 with 2 rings clamp

Material : Taupe leatherette

Dimensions : 246 x 320 x H.40 mm



## HR-TBRM

### Rectangular taupe tissue box

Material : Taupe leatherette

Dimensions : 252 x 137 x H.70 mm



## HR-CB

### Remote control taupe holder

Material : Taupe leatherette

Dimensions : 80 x 170 x H.80 mm



## HR-TBCM

### Square taupe tissue box

Material : Taupe leatherette

Dimensions : 130 x 145 x H.130 mm



## HR-NPM

### Note pad holder magnetic fold for pen

Material : Taupe leatherette

Dimensions : 130 x 15 x H.170 mm



## HR-CBR

### Sachet box 2 compartments

Material : Taupe leatherette

Dimensions : 155 x 70 x H.70 mm



## HR-RCB

### Remote control binder

Compartment for TV channel list

Material : Taupe leatherette

Dimensions : 110 x 240 x H.50 mm



## HR-CBT

### Sachet box 2 compartments inclined

Material : Taupe leatherette

Dimensions : 155 x 70 x H.70 mm





## HR-C

### Coaster

Material : Taupe leatherette

Dimensions : Ø 100 x H.5 mm



## HR-IBT

### Ice bucket 1 L includes tong

Material : Taupe leatherette

Dimensions : Ø 140 x H.185 mm



# Paper bins

## HR-PB9LM

### Taupe paper bin 9 L

Material : Taupe leatherette

Dimensions : Ø 225 x H.270 mm



## HR-PB9LN

### Black paper bin 9 L

## HR-PB9LM

### Brown paper bin 9 L

Material : Stainless steel and leatherette

Dimensions : Ø230 x H.265 mm



# Luggage rack

## HR-LRN

### Luggage rack

Material : Solid wood structure and 5 nylon/polyester belts

Color : Dark wood structure and black belts

Dimensions : 590 x 460 x H.515 mm



# Extra beds

## HR-FEB

### Folding extra bed

Swiveling wheels and automatic folding system

Mattress in polyester foam

Dimensions: Open : 920 x 2000 x H.500 mm

Closed : 920 x 450 x H.1230 mm



## HR-FBB

### Foldable Baby bed

Aluminum, mesh fabric and PU foam small mattress included

For babies up to 15 kg

Dimensions : Open : 1280 x 690 x H.760 mm

Closed : 210 x 220 x H.760 mm

**HR-FBBMP** comfortable mattress 6 cm height in option



# Ironing

## HR-IB+IST

Ironing kit composed of board (IB) ,  
an organizer and steam iron (HR-IST)

## HR-IB+IDRY

Ironing kit composed of board (IB) ,  
an organizer and dry iron (HR-IDRY)



## HR-IDRY

### Dry Iron CE

Automatic shut off

Non stick soleplate

Cable 2,5m

Power : 1200 Watt / 220-240 Volt 50 Hz

Dimensions : 120 x 250 x H.106 mm



## HR-IST

### Steam Iron CE

Automatic shut off

Non stick soleplate

Cable 2,5m

Power : 1200 Watt / 220-240 Volt 50 Hz

Dimensions : 120 x 285 x H.132 mm



## HR-IBWM

### Wall mounted ironing board

Compatible with HR-IDRY and HR-IST

Dimensions :

Open : 940 X 360 X 740 mm

Closed : 940 x 360 x 150 mm



## HR-IB

### Ironing Board

Compatible with HR-IDRY and HR-IST

Ajustable in height

Rubber anti-slip feet

Remplaeable fire-retardant elastic cover

Dimensions : 330 x 68 x H.1120 mm



# Room Service

## FO-MB

### Service trolley

Material : Aluminum structure and polypropylene shelves

Dimensions : 850 x 430 x 950 h mm



# Table and hotbox

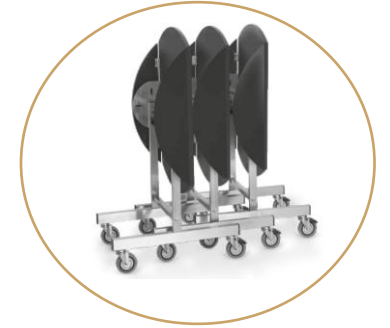
## RS-T80

### Foldable room service table, suitable with a hotbox (RS-HB)

Material : Structure in stainless steel and top in water-repellent MDF wood

Wheels : 4 swivel, 2 with brakes Ø 95 mm

Dimensions: Ø 800 x H.780 mm



## RS-HB

### Hotbox

Adjustable thermostat

Suitable for plates max Ø 32 cm

Intermediate perforated shield

Material : Stainless steel

Power : 400 W, 230 V, 50/60 Hz

Temperature : +30-+90°C

Dimensions : 390 x 460 x H.510 mm



## RS-THB

### Hotbox transport trolley

To carry and charge up to 6 hotboxes

Material : Stainless steel

Power : 6x400 W, 230 V, 50/60 Hz

Wheels : 4 swivel, 2 with brakes Ø 125 mm

Dimensions : 1530 x 560 x H.1390 mm



# Minibars solid door

Thermoelectric cooling with Peltier system

Temperature regulator thermostat

Internal lighting by LED

Solid door

Includes two internal trays made of ABS

Power : 63 W

Voltage/Frequency : 220-240 V / 50-60 Hz

Energy consumption : 60 kWh/year

Sound level : 0 dB

Temperature medium : 8-15°C



## 30L

Dimensions : 385 x 385 x H.512 mm

Weight : 12,3 kg

**HR-MBPP30LN**

30L Black minibar

**HR-MBPP30LW**

30L White minibar

## 40L

Dimensions : 400 x 420 x H.570 mm

Weight : 15,5 kg

**HR-MBPP40LN**

40L Black minibar

**HR-MBPP40LW**

40L White minibar

**CE RoHS**

# Minibars glass door

Thermoelectric cooling with Peltier system

Temperature regulator thermostat

Internal lighting by LED

Glass door

Includes two internal trays made of ABS

Power : 63 W

Voltage/Frequency : 220-240 V / 50-60 Hz

Energy consumption : 60 kWh/year

Sound level : 0 dB

Temperature medium : 8-15°C



## 30L

Dimensions : 385 x 385 x H.512 mm

Weight : 12,3 kg

**HR-MBPV30LN**

30L Black minibar

**HR-MBPV30LW**

30L White minibar

## 40L

Dimensions : 400 x 420 x H.570 mm

Weight : 15,5 kg

**HR-MBPV40LN**

40L Black minibar

**HR-MBPV40LW**

40L White minibar

**CE RoHS**

# Bathroom

The bathroom in a hotel room is a haven of tranquility and luxury, especially after a long day of travel or sightseeing. Thoughtfully selected products and top-tier materials create a spa-like experience, making guests feel indulged and rejuvenated. This commitment to quality ensures they remember the serene comfort long after they leave.



# Bathroom Bins

## Pedal operated bin with soft-close system

Plastic interior container with handle

Material : Stainless steel with epoxy



B-BPBC3L / B-BPBC5L



B-BPBM3L / B-BPBM5L



B-BPBW3L / B-BPBW5L



B-BPBB3L / B-BPBB5L

**B-BPBB3L**

3L black bathroom bin

**B-BPBC3L**

3L polished bathroom bin

3L

Dimensions : Ø 220 x H.240 mm



**B-BPBM3L**

3L satin bathroom bin

**B-BPBW3L**

3L white bathroom bin



5L

Dimensions : Ø208 x H.265 mm

**B-BPBB5L**

5L black bathroom bin

**B-BPBC5L**

5L polished bathroom bin

**B-BPBM5L**

5L satin bathroom bin

**B-BPBW5L**

5L white bathroom bin

# Towel hangers

## Towel hanger

Dimensions : 60 x Ø 48 mm

Material : Stainless steel

## B-CIN

Color : Matt black

## B-CIC

Color : Chromed

## B-CIM

Color : Satin

B-CIN



## Towel ring

Dimensions : 194 x Ø 179 mm

Material : Stainless steel

### B-ASN

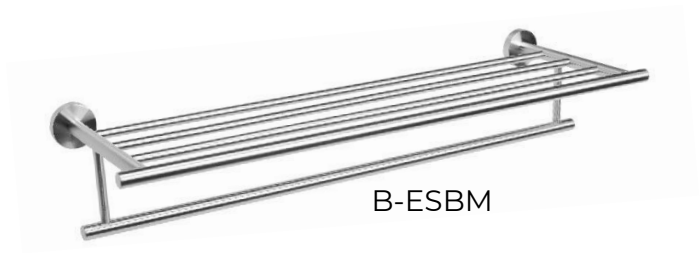
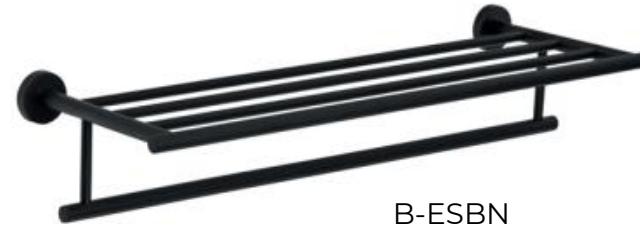
Color : Matt black

### B-ASC

Color : Chromed

### B-ASM

Color : Satin



## Towel shelf

Dimensions : 125 x 650 mm

Material : Stainless steel

### B-ESBN

Color : Matt black

### B-ESBC

Color : Chromed

### B-ESBM

Color : Satin

### Towel bar short

Dimensions : 85 x 278 mm

Material : Stainless steel

#### **B-PSN**

Color : Matt black

#### **B-PSC**

Color : Chromed

#### **B-PSM**

Color : Satin



B-PSN



B-PSC

### Towel bar large

Dimensions : 108 x 650 mm

Material : Stainless steel

#### **B-PS650N**

Color : Matt black

#### **B-PS650C**

Color : Chromed

#### **B-PS650M**

Color : Satin



B-PS650N



B-PS650C

### Towel glass shelf

Dimensions : 108 x 650 mm

Material : Stainless steel

#### **B-EVN**

Color : Matt black

#### **B-EVM**

Color : Satin



B-EVN



B-EVM

### Rectangular soap dish

Dimensions : 96 x 137 x H.38 mm

Material : Chrome brass

#### B-PSVN

Color : Matt black

#### B-PSVC

Color : Satin



B-PSVN

### Triangular soap dish

Dimensions : 188 x 249 x 188 x H.57 mm

Material : Chrome brass

#### B-PSTN

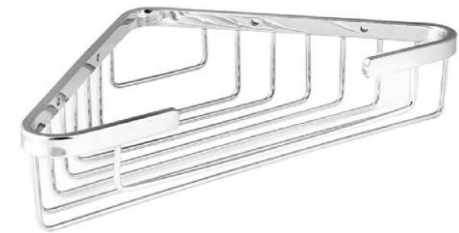
Color : Matt black

#### B-PSTC

Color : Chromed



B-PSTN



B-PSTC

### Deep triangular soap dish

Dimensions : 188 x 249 x 188 x H.94 mm

Material : Chrome brass

#### B-PSTPC

Color : Polished



# Magnifying mirrors

## **B-MRGX5LEDN**

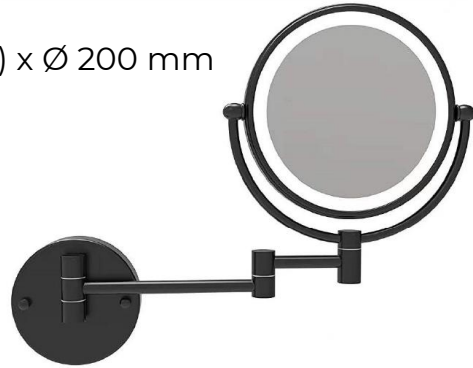
**Magnifying round mirror X5 on arm with LED light with battery**

USB adaptater and cable

Dimensions : 303 x 252 (max.) x Ø 200 mm

Material : Chrome brass

Color : Matt black



## **B-MRGX3C**

**Magnifying round mirror X3 on arm**

Dimensions : 332 x 433 (max.) x Ø 200 mm

Material : Chrome brass

Color : Chromed



# Toilet accessories

## Toilet paper holder with cover

Dimensions : 150 x H.153 mm

Material : Stainless steel

### B-PPWCN

Color : Matt black

### B-PPWCC

Color : Polished

### B-PPWCM

Color : Satin



## Toilet paper holder reserve

Dimensions : 104 x H.237 mm

Material : Stainless steel

### B-PPWCRN

Color : Matt black

### B-PPWCRC

Color : Polished

### B-PPWCRM

Color : Satin



# Hair dryer

## Wall mounted toilet brush

Dimensions : Ø 90 x H.368 mm

Material : Stainless steel

### B-PBWCN

Color : Matt black

### B-PBWCC

Color : Polished

### B-PBWCM

Color : Satin



B-PBWCN

B-PBWCM

## HR-HDN

### Hairdryer

3 settings

2 speeds

Removable filter.

Material : ABS

Cable 2,5m

Power : 2000 Watt / 220-240 Volt 50-60 Hz

Dimensions : 300 x 95 x 260 mm



CE

# Floors

The floors of a hotel are designed to ensure silence, discretion, and seamless service. High-quality, ergonomic materials and thoughtful design minimize noise and enhance comfort for both guests and staff. This attention to detail creates a serene and efficient environment, enhancing the overall guest experience.

*" True hospitality consists of giving the best of yourself  
to your guests "*

*Eleanor Roosevelt*



# Housekeeping trolleys

## HK-M

### Housekeeping trolley

Material : Steel structure, veneered wood panels and polyester linen bags

Amenities box with separators

2 liftable holders for linen bags, and 2 liftable bases with donut bumpers

2 shelves (3 levels)

Wheels : 2 fixes and 2 swivel with brakes Ø150 mm

Dimensions : 1460 x 500 x H.1200 mm



## HK-C

### Compact housekeeping cart for turn-down service or boutique hotels

Material : Aluminum

Amenities box with lid and separators, and side pockets

Wheels : 4 swivel, 2 with brakes, with donut bumpers

Dimensions : 560 x 540 x H.1000 mm

## HK-PD

### Housekeeping trolley with 2 doors

Material : High resistant plastic

Amenities box with separators

2 lockable doors

2 shelves (3 levels) and a glass rack under the base

Wheels : 2 fixed and 2 swivel with brakes Ø200 mm

Dimensions : 1540 x 540 x H.1300 mm



## HK-LCX

### Foldable laundry cart 270 L

Material : Chrome nickel steel structure and polyester linen bag

Wheels : 4 swivel

Dimensions : 610 x 610 x H.985 mm



## HK-LC

### Laundry cart 293 L

Material : Steel structure and nylon/polyester laundry bag

Wheels : 4 swivel

Dimensions : 905 x 580 x H.890 mm



# Laundry trolleys



## **HK-PLC180**

### **Container 180 L**

Material : Polyethylene PE-LLD

Stackable for easy-storage

Drain tap for water drainage

Wheels : 2 fixed and 2 swivel Ø100 mm

Dimensions : 780 x 610 x H.700 mm

*Sold with or without the lid with stainless steel hinges*

## **HK-PLC360**

### **Container 360 L**

Material : Polyethylene PE-LLD

Stackable for easy-storage

Drain tap for water drainage

Wheels : 2 fixed and 2 swivel Ø 150 mm

Dimensions : 1140 x 730 x H.790 mm

*Sold with or without the lid with stainless steel hinges*



# Rolls

## SM-RCP

### Linen basket

Material : Galvanized steel tube frame with wire mesh

Load capacity : 200 kg

Wheels : 4 polyamide swivel Ø 125 mm

Dimensions : 740 x 540 (at the base) x H.740 mm

820 x 615 (at the top) x H.740 mm



## HK-ROLL3

### Roll 3 panels

Material : Galvanized steel tube frame with wire mesh

Load capacity : 500kg

Wheels: polyamide Ø 100 mm

Dimensions : 810 x 720 x H.1700 mm

### HK-ROLL 3-P

#### Roll 3 panels + 2 half-doors

### HK-S/ROLL3

#### 1 or several shelves in option



# Cleaning

## FO-MB

### « Wet floor » sign [ENGLISH/SPANISH]

Material : High resistant ABS

Dimensions : 300 x 480 x H.615 mm



## FO-CT

### Cleaning cart

Material : High resistant plastic

Platform and 2 shelves

Dimensions : 510 x 1125 x H.960 mm



## FO-MB

### Mop bucket

Material : High resistant plastic

Dimensions : 400 x 606 x H.740 mm







[Info@bredda-supply.com](mailto:Info@bredda-supply.com)



[breddasupply](https://www.instagram.com/breddasupply)



[www.bredda-supply.com](http://www.bredda-supply.com)